

# NMS8250/55/80 memory mapper with a SIMM

**Jean-Pierre Dubois a.k.a. Jipe**

*Converted to PDF by HansO, 2001*

This is the schema of a memory mapper for the Philips 8250/8255/8280.  
It will go from 256K to 4Mb.

## **How to build it**

You need to consult the service manuals of the NMS8250/55/80 where to connect the circuit board and SIMM to.

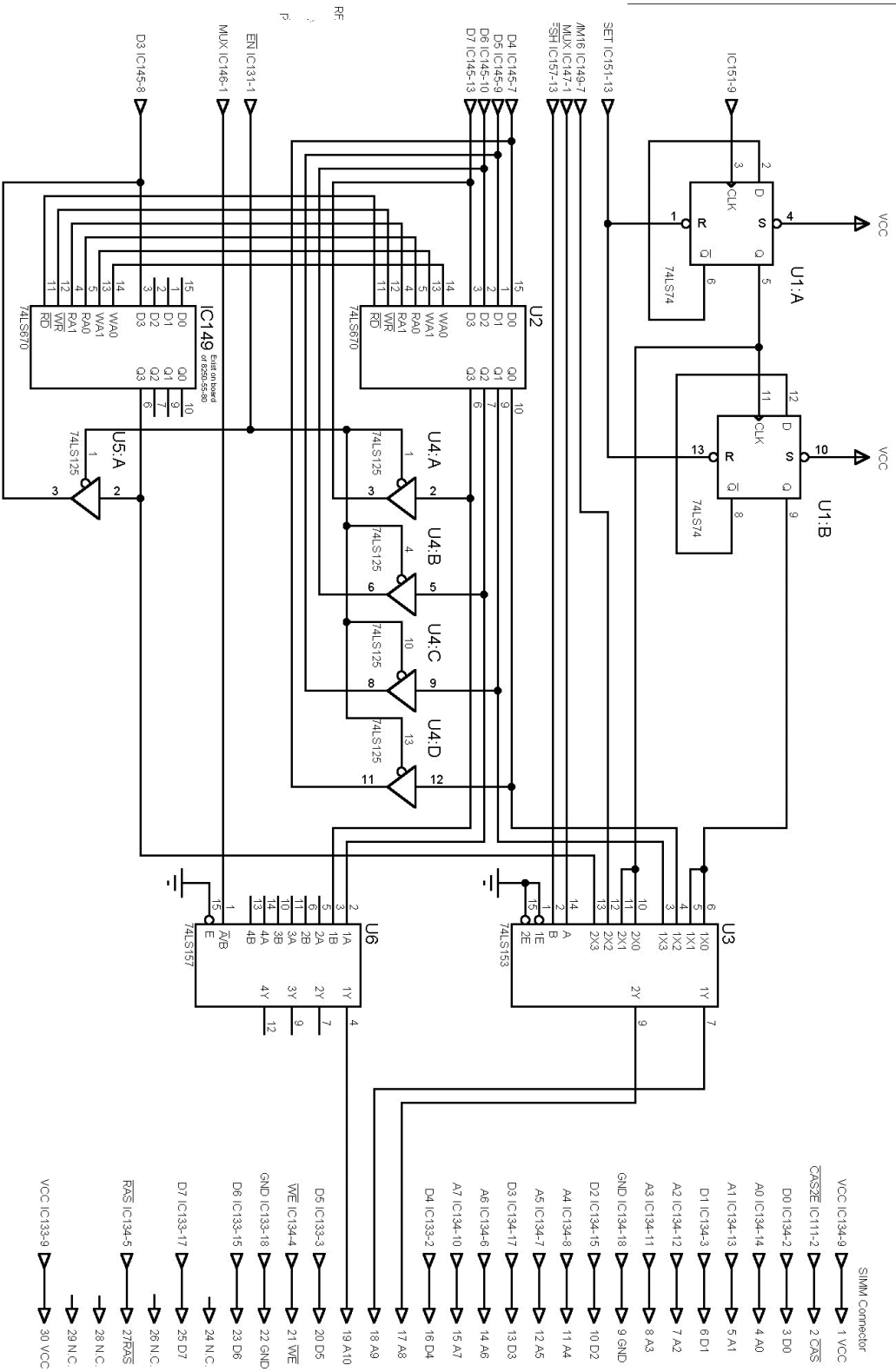
The components of the circuit diagram are added to the original board only IC149 is an existing IC, but the D3 signal is not connected.

## **How to use it**

This is a standard memory mapper so all programs that use it will work.

You can adapt some program of megarom crackers because it uses bit 7 value 1 for address the page of the mapper.

For example value 83 for page 3 and 4Mb will not work if bit 7 is 1.



PHILIPS MAPPER WITH SIMM MEMORY 256k to 4M0

JIPE 2001