

SVI•767

MSX DATA CASSETTE
USER'S MANUAL

SVITM
SPECTRAVIDEO

MSX

SPECTRAVIDEO'S
USER'S MANUAL STATEMENT

This equipment generates and uses radio frequency energy and, if not installed and used properly (that is, in strict accordance with the manufacturer's instructions), may cause interference to radio and television reception. It has been type tested and found to comply with the limits for a Class B computing device in accordance with the specifications in Subpart J of Part 15 of FCC Rules, which are designed to provide reasonable protection against such interference in a residential installation. However, there is no guarantee that interference will not occur in a particular installation. If this equipment does cause interference to radio or television reception, which can be determined by turning the equipment off and on, the user is encouraged to try to correct the interference by one or more of the following measures:

- Reorient the receiving antenna.
- Relocate the computer with respect to the receiver.
- Move the computer away from the receiver.
- Plug the computer into a different outlet so that computer and receiver are on different branch circuits.

If necessary, the user should consult the dealer or an experienced radio/television technician for additional suggestions. The user may find the following booklet prepared by the Federal Communicaitons Commission helpful:

"How to Identify and Resolve Radio-TV Interference Problems." This booklet is available from the U.S. Government Printing Office, Washington, DC 20402 Stock No. 004-000-00345-4.

WARNING:

This equipment has been certified to comply with the limits for a class B computing device, pursuant to Subpart J of Part 15 of FCC Rules. Only peripherals (computer input/output devices, terminals, printers, etc.) certified to comply with the Class B limits may be attached to this computer. Operation with non-certified peripherals is likely to result in interference to radio and TV reception.

Published by
SPECTRAVIDEO INTERNATIONAL LTD.

First Edition
First Printing 1984
Printed in Hong Kong
Copyright 1984 by Spectravideo International Ltd.
All rights reserved

Every effort has been made to supply complete and accurate information in this manual. Spectravideo International Ltd. reserves the right to change Technical Specifications and Characteristics at any time without notice.

No part of this publication may be stored in a retrieval system, transmitted, or reproduced in any way, including but not limited to photocopy, photograph, magnetic or other record, without the prior agreement and written permission from Spectravideo International Ltd.

USER'S MANUAL

Congratulations. The Spectravideo data cassette recorder marks your entrance into Spectravideo's expanding universe of educational, entertainment and home management programs. This manual is your guide into this new and exciting world. In the coming chapters we will show you how to store and playback your BASIC programs in a few different ways. Please read this manual carefully and try every program that we provide as examples.

TABLE OF CONTENTS

CHAPTER	NAME	PAGE
1	UNPACKING.....	1
2	FEATURES.....	2
3	HOW TO CONNECT THE RECORDER TO THE SVI-728.....	3
4	HOW TO SAVE PROGRAMS ONTO A CASSETTE TAPE.....	5
5	HOW TO LOAD A PROGRAM INTO THE SVI-728.....	9
6	SOME OTHER WAYS TO SAVE A PROGRAM ON A CASSETTE TAPE.....	11
7	INTRODUCTION TO DATA FILES.....	13
8	CAUTIONS AND MAINTENANCE.....	21
9	SPECIFICATIONS.....	23

1. UNPACKING

The package of the SVI-767 should contain the following items.

- (A) Cassette Drive with a 3-ft. cord (one end with connector)
- (B) This Instruction Manual
- (C) One + 12V DC adapter

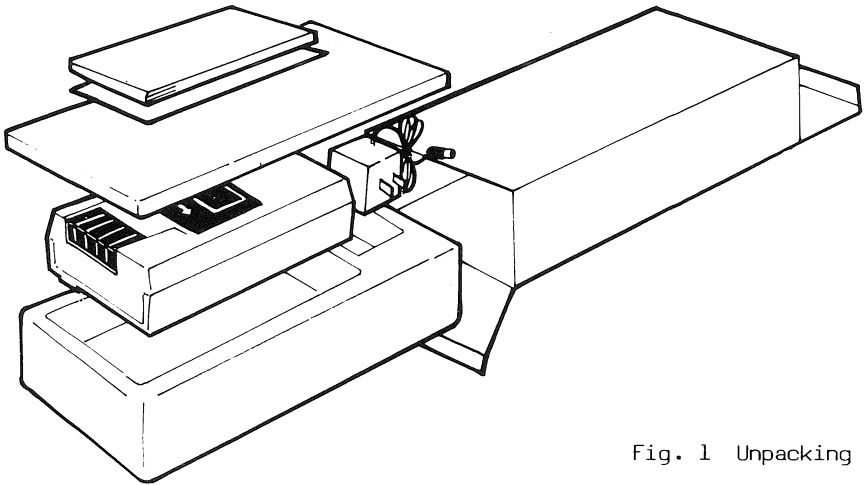


Fig. 1 Unpacking

2. FEATURES

- Main Features:
- A. Built-in tape counter for easy location of recorded program material.
 - B. No interface needed - direct hook-up to SVI-728.
 - C. Automatic Stop Feature, which stops the recorder when the cassette reaches its end.

- Other Features:
- A. LED
 - B. STOP/EJECT button
 - C. PLAYBACK button
 - D. FAST FORWARD button
 - E. REWIND button
 - F. RECORD button
 - G. Cassette cover
 - H. Counter reset button

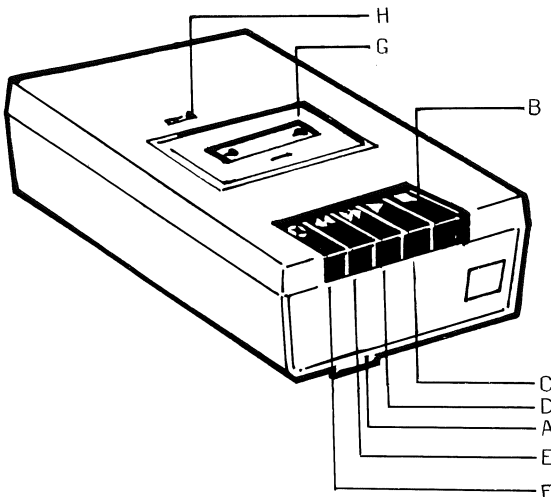


Fig. 2 Feature diagram

3. HOW TO CONNECT THE RECORDER TO THE SVI-728

Insert the 8 pin din plug connector (located on the cable attached to the rear recorder) into the slot on the back of the SVI-728 as shown in figure no. 3.

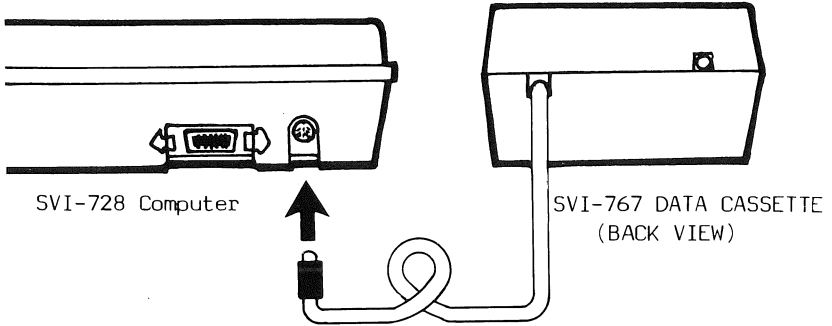


Fig. 3 Connecting the recorder to the computer

Connect the DC adapter to the power socket at the rear of the recorder as shown in figure no. 4.

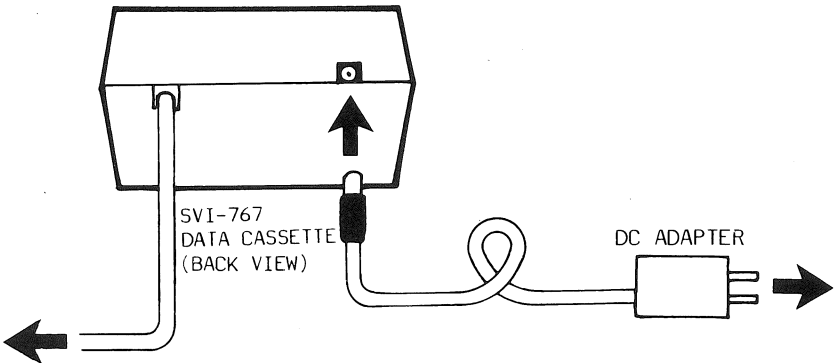


Fig. 4 Connecting the power supply to the recorder

****CAUTION****

The external power source should match the input specification printed on the adapter. For instance, in Britain, the power output of a wall outlet is 240 volts and therefore the input specification should show the same figure.

4. HOW TO SAVE PROGRAMS ONTO A CASSETTE TAPE

1. Insert a cassette tape into the recorder. This procedure is the same as with most other cassette recorders. Press the STOP/EJECT button to open the cover. Insert the cassette with the tape's opening facing the front of the recorder. If the tape is fully rewound, all the tape will be on the left-hand spool. Press down the cover before continuing.
2. If you want to rewind the tape to the beginning, or fast forward the tape to a particular position (located by counter no.), just simply type the "motor on" command, and press the key. Then press the Forward or Rewind button on the cassette as required.
3. After you have written your BASIC program, insert the cassette tape into the recorder and make sure the recorder is connected to the SVI-728. If you are using a new cassette tape, advance the tape past the leader to the section that is made for recording. You must be careful not to record on the leader. If you are using a tape that contains previously saved programs, then advance the tape past the last program that you wish to retain. If you record over a previously saved program, you will automatically erase that program.

4. Type the command:

CSAVE

in immediate mode (the difference between immediate and program modes is explained at the beginning of the SVI-728 User's Manual). After the word CSAVE you must then type the name you wish to give your program. For example, if you wrote a checkbook program, you may type:

CSAVE "CHECKBOOK"

or

CSAVE "CHBK"

or anything else you may want to call it. After you have typed CSAVE and the name of the program surrounded by quotation marks, press the ENTER key. The name you give it is the name with which it will be stored on the cassette and the name which you need to use to load it back into the computer (More information on "how to load" will be given in section 5.)

5. After you have pressed the ENTER key, the computer will respond by telling you to press the PLAY and RECORD keys on the recorder. Press these two keys and the computer will begin writing your program onto the cassette. Whenever the computer is recording onto the tape, the red "IN USE" light located on the bottom front of the recorder will light up. When the computer has finished writing your program, the red light will go off and the computer will print the "OK" message on the screen. That's it. Your program is now saved.

HOW TO SAVE PROGRAMS ONTO A CASSETTE TAPE

6. To interrupt the computer and stop it from saving a program, hold down the **CTRL** key and press the **STOP** key. Then release both keys. The computer will print its "OK" message on the screen, and return control back to you.

Notes:(1)Record Prevent Device

The cassette used in this unit contains special "knockouts" to prevent accidental erasure of a program (see figure 5). To protect recorded information against erasure, just remove the tabs on the back of the cassette. They can be replaced (by covering up the holes) should you ever want to record on the tape again.

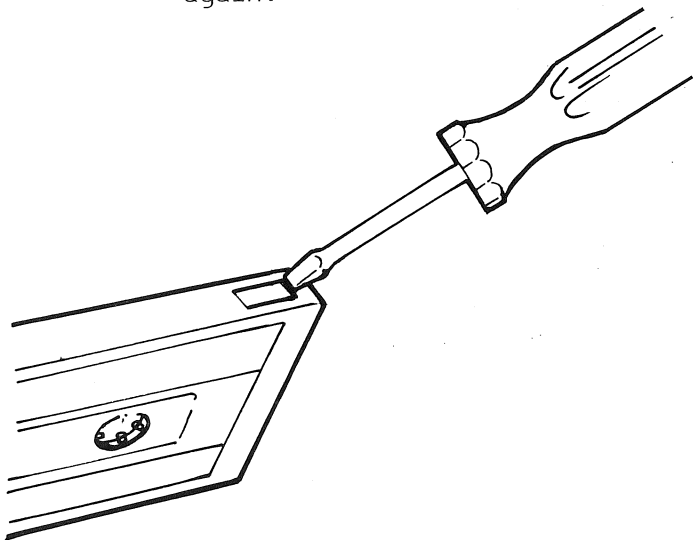


Fig. 5 Removing the record prevent TAB

HOW TO SAVE PROGRAMS ONTO A CASSETTE TAPE

(2) Tape Counter

The tape counter is for easy location of material recorded on tapes. Press the reset button to set the tape counter to the "000" position (see figure 6). This is the position you start on for recording or playback.

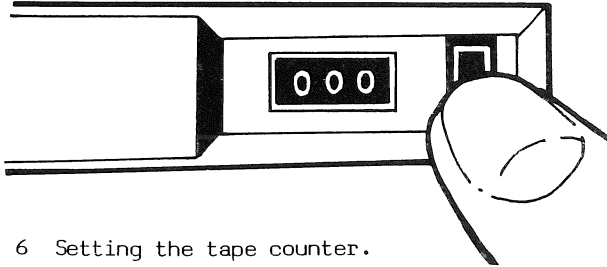


Fig. 6 Setting the tape counter.

5. HOW TO LOAD A PROGRAM INTO THE SVI-728

1. Insert the cassette tape which contains the program into the recorder.
2. Rewind the cassette tape fully by pressing the REWIND key on the recorder. All the tape should be on the lefthand spool.
3. If the program you wish to load is on a preprogrammed tape (i.e. the program was written by someone other than you), then follow the directions included with the program.
4. If you wrote the program yourself, then type :

CLOAD

in immediate mode, followed by the name of the program and then press ENTER. For example, if the name of the program was CHECKBOOK, then you would type

CLOAD "CHECKBOOK" ENTER

IMPORTANT: The computer considers the name "CHECKBOOK" to be different from the name "checkbook" or "CHECKbook". Make sure that if you capitalized the name of a program when it was stored, you also capitalize it when you tell the machine which program to load.

5. The computer will then begin to search the tape for your program. When it finds the CHECKBOOK program it will print the message:

Found: CHECKBOOK

If other programs are stored on the tape before CHECKBOOK, the computer will print the message "Skip: DIARY" or whatever other programs are located on the tape prior to CHECKBOOK.

6. After the checkbook program is loaded into the SVI-728, the computer will print its "OK" message on the screen. You can then RUN the program.
7. If the computer does not find the program you named in the CLOAD instruction within the period of time that you think it should, then perhaps your program is not on that tape. To stop the computer from loading, hold down the **CTRL** key and press the **STOP** key. Then release both keys. The computer will print its "OK" message on the screen and return control back to you. This is the reason that the tape counter is included on the data recorder. If you write down the location on the tape where a particular program is stored, you need not search through the entire cassette tape to find the program later. You need simply FAST FORWARD to the appropriate number and then tell the computer to CLOAD. The computer will find the desired program quickly.

6. SOME OTHER WAYS TO SAVE A PROGRAM ON A CASSETTE TAPE

In chapter 4 we explained how to save your program. Actually, the CSAVE command is only one of three different ways to save programs. Each of the three methods has its advantages and disadvantages. We will now explain the other two ways of saving your work and the technique the computer uses to save your program. Knowing how the computer saves your programs is important for understanding the advantages and disadvantages of each method. We have already mentioned the CSAVE command so we begin with an explanation of this method.

CSAVE

When you use the CSAVE command, the computer "tokenizes" your program. If the computer saved every BASIC command that you had typed exactly as you had typed it, it would take much longer than it actually did. Every character would have to be written, and even though the computer could handle the characters and numbers quickly, it still would take more time than you would care to wait.

Therefore, to save time, whenever the CSAVE command is issued, the computer will assign a value for each BASIC command in your program. These values are called tokens, hence the process is called "tokenization". Storing one character instead of several saves much time; therefore the program is saved and loaded very quickly.

SOME OTHER WAYS TO SAVE A PROGRAM ON A CASSETTE TAPE

BSAVE The BSAVE and BLOAD commands allow specific portions of the RAM to be saved and loaded. These commands are recommended for the more advanced user. Further information can be found in the Spectravideo MSX BASIC Reference Manual available from your Spectravideo dealer.

HOW TO SAVE Wouldn't it be nice if there was a way to save the beautiful pictures that you had created on the screen onto a cassette tape? Well, there is! And it's really very simple:

Step 1. Write your graphics program that uses SCREEN 1 or SCREEN 2 (the two graphics screens) and then RUN your program.

Step 2. Press the **CTRL STOP** key combination and then type:

```
csave "name"
```

So, if you draw a circle you might type:

```
csave "circle"
```

That's all there is to it. Later when you want to see your work of art, type:

```
cload "circle"
```

7. INTRODUCTION TO DATA FILES

The CSAVE command saves only your programs. Remember that a program is a collection of commands (or your instructions) to the computer. The work that the computer performs and outputs, such as a list of all the possessions in your home, or a list of all your friends which you can update, cannot be saved by using the CSAVE command. To store these types of lists and print them out whenever needed, you must create a data file. Before describing how to create a data file, though, we must understand what it is.

Before the computer age, anytime someone referred to filing, a picture of a unit of steel drawers loaded with papers would probably come to mind. Well, even after the dawn of the computer era, the concept of a file hasn't changed much. A file is a collection of information, kept somewhere other than inside the computer's memory area. That "somewhere" can be a cartridge, a cassette tape or a floppy disk.

To keep order in a filing system - whether it is a conventional filing cabinet or a cassette tape - one must organize the files into distinct units. If one were to label all the files in a drawer merely with the name "bills", it would be difficult to distinguish between bills that had already been paid and those that were still outstanding. Similarly, if one were to file all the information he saved on a cassette tape under the same name, it would be difficult to distinguish the various types of information stored in the file.

There is a special type of data files called "sequential" file. As its name implies, the data is written sequentially, that is one item after the other, in the order it is sent to the cassette. It is loaded back into the computer in the same way.

The following steps must be included in a program to create and access a sequential file. The ease of working with data files will be greatly enhanced if you continually bear in mind the parallel between a computer data file and the folder file stored in a filing cabinet. The following 4 steps are common to both.

1. OPEN the file for output (from the computer to the cassette tape.)
2. Write data to the file using the PRINT # command (or other commands).
3. CLOSE the file after you have written to it. To read data from a file you must OPEN it again for input (from the cassette tape into the computer).
4. Use the INPUT # command (or others) to read the data.

The above-mentioned commands together with several others that are used to create and access sequential commands are illustrated and explained through the use of sample programs. Please type the programs carefully and try them out.

DEMO#1 The first demonstration program highlights the following four fundamental commands:

```
OPEN  
CLOSE  
PRINT #  
INPUT #
```

PART I

```
10 open "demo1" for output as #1  
20 a = 10 : b = 20  
30 c = 30  
40 print#1, a;b;c  
50 close#1
```

After you have typed part one, RUN it. This program will save the numbers 10, 20, and 30 on the tape.

Line 10 instructs the computer to OPEN (create) a file on the tape called demo 1 to which we will output, or write information. The #1 at the end of line 10 is the filenumber for the demo#1 file.

The filename is the label that you use to refer to the file. The filenumber is what the computer uses to refer to the file. The filenumber is a unique number that is associated with the physical file when it is opened. It identifies the route that the computer uses to

send and receive information from the data cassette recorder. Very rarely will you need to access more than one file at a time. Therefore, use filenumber 1 for those instances when you are using only one data file. To specify the maximum number of files you will open at one time, use the following Format:

```
maxifiles = [number of files]
```

Lines 20 and 30 define the variables the program will use.

Line 40 is the one that actually instructs the computer to write them on tape, and line 50 closes the demo# file (filenumber 1).

Now, we will write part two of this program to read and print the information that was written on the tape in part one.

PART II

```
10 open "demol" for input as #1
20 input#1, a,b,c
30 print a,b,c
40 close#1
```

After you have typed this part in, rewind the tape and RUN the program. After you have pressed the play button on the recorder, the numbers should be read and printed. Here's why.

In line 10 the computer is instructed to reopen the file to read the information back into the computer. Notice that the filenumber is again #1.

Line 20 causes the computer to read the information back into the computer, and line 30 prints out the specified variables. Line 40 closes the demol file.

DEMO#2 This program illustrates the LINE INPUT# command. The first part of this program writes the string variables a\$ and b\$ on the tape.

PART I

```
10 open "demo2" for output as #1
20 a$ = "this is a demonstration"
30 b$ = "this is part of it too"
40 print#1, a$, b$
50 close#1
```

After you have typed part one, RUN it. Then type part two.

PART II

Part two will read and print the text stored in a\$ and b\$ using the command, LINE INPUT#.

```
10 open "demo2" for input as #1
20 line input#1, a$
30 print a$
40 close#1
```

The new command, LINE INPUT# appears on line 20 of part two. This command reads an entire line (up to 254 characters), without delimiters, from a sequential file to a string variable.

DEMO#3 This program demonstrates the last major command needed for sequential data file creation and access. The command is EOF which is the abbreviation for "End of File". First type in part one.

PART I

```
10 open "demo3" for output as #1
20 for a = 0 to 50
30 print#1, a
40 next a
50 close#1
```

RUN part one.

PART II

```
10 open "demo3" for input as #1
20 if eof (1) then goto 70
30 input#1, a
40 print a
50 goto 20
60 close#1
70 print "all done"
```

Rewind the tape and RUN part two. This program writes the numbers 0-50 into a file and then reads them back and prints them on the screen. It prints the message "all done" when it finishes. What is so great about that you ask? Well, before we explain the function of EOF, delete line 20 from part two of the program, change line 50 to read "goto 30" and then RUN the program. Do you get this error message?

input past end in 30

You probably do because after the computer has printed the last item in the file, number 50, it returns to the file looking for more data to read (because line 50 sent it to line 30 which tells it to read). But since there is no more data left in the file, you are told that you tried to input (transfer from tape to computer) past the end of the file.

So how does the EOF command help? The EOF function checks to see whether or not the end of a file is reached. If the end of a file has been reached (true), then the value that EOF returns (transmits) to the program is 1 (one). A 0 (zero) will be returned if the end of the file has not been reached. Now let's look at line 20 again. Here is how to read it:

If the end of the file has been reached, then goto 70.

Before each item is read, the EOF checks to see if the end of file has been reached. If it has not been reached (the false or zero condition), the program continues to line 30. However if the EOF test reports a true (1) condition then the program jumps to line 70 and prints the "all done" message, thus avoiding the "input past end" error message.

This brings us to a close of our discussion on sequential data files. Two minor commands that can be used when working with sequential data files have not been demonstrated. They are:

**PRINT# USING
INPUT**

These commands are described in the Spectravideo MSX BASIC Reference Manual.

8. CAUTIONS AND MAINTENANCE

CAUTIONS

- (A) Use this unit in the horizontal position only.
- (B) Do not operate this unit in an area where the temperature is high, or under direct sunlight.
- (C) Periodic cleaning of the head assembly is necessary to avoid dirt.
- (D) Be sure to press the stop button before removing or inserting a cassette tape.
- (E) Metal cassette tape is not recommended for this cassette deck. Tapes of less than sixty minutes will provide optimal performance with this unit. If more than sixty-minute playing time is required, be sure to select a high-quality cassette tape capable of reliable performance.

MAINTENANCE

- (A) The head assembly, the capstan and the pressure roller are always in contact with the tape during operation. Therefore, they tend to get dirty very easily and this has an adverse effect on the recording quality and the volume. Occasional cleaning is necessary.

- (B) To clean the head assembly, remove the cassette and press the playback button. The head assembly then becomes accessible. Use a cotton swab dipped in denatured alcohol or head cleaning fluid to clean the assembly area gently (see figure 7).

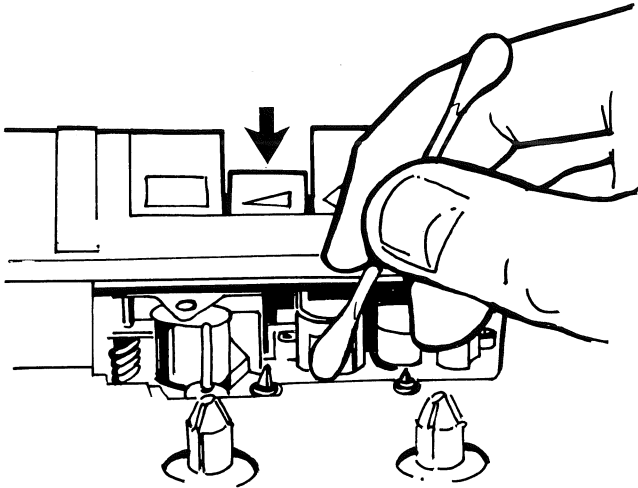


Fig. 7 Cleaning the recording head

- (C) Don't put magnetic materials, such as a screwdriver or a magnet, near the head assembly.
- (D) When cleaning, be careful not to bend the tape guide.

9. SPECIFICATIONS

These specifications are subject to change in order to accommodate improvements in design.

FUNCTIONS	REC/REW/FF/PLAY/STOP/EJECT
HEADS	1 R/P Head 1 Erase Head (DC)
RECORD BIAS	AC 60 Hz
BAUD RATE	1,200 BPS
THIRD HARMONIC DISTORTION	3%
S/N	20 db (min)
OPERATING VOLTAGE	8.4V - 15V DC
RATED VOLTAGE	12V DC
RATED LOAD	9 gm/cm
TORQUE	PLAY mode 40-70 gm/cm FF/REW mode 60 gm/cm
PINCH ROLLER PRESSURE	450 gm + 100 gm
TAPE SPEED	4.75 cm/sec. + 3% 24 RPM + 48 RPM
WOW & FLUTTER	Less than 0.3% (JIS)
FLUCTUATION OF SPEED	Against voltage: 30 RPM (max) at rated load and voltage 8.4V - 15V DC Against load: 50 RPM (max) at rated voltage and load 8 gm/cm to 12 gm/cm

SPECIFICATIONS

WINDING TIME	FF/REW 100 sec (max) for C-60 tapes
COUNTER	3 digits
OTHER FEATURE	Power-ON LED indicator
TEMPERATURE	Operating between 5-35° C
HUMIDITY	Operating between 30-90%
DIMENSIONS (mm)	251(L) x 164(W) x 68 (H)
WEIGHT	Approximately 1.08 KG



SVITM

SPECTRAVIDEO

©1984 SPECTRAVIDEO INTERNATIONAL LIMITED

M-180

PRINTED IN HONG KONG
IMPRIME A HONG KONG