

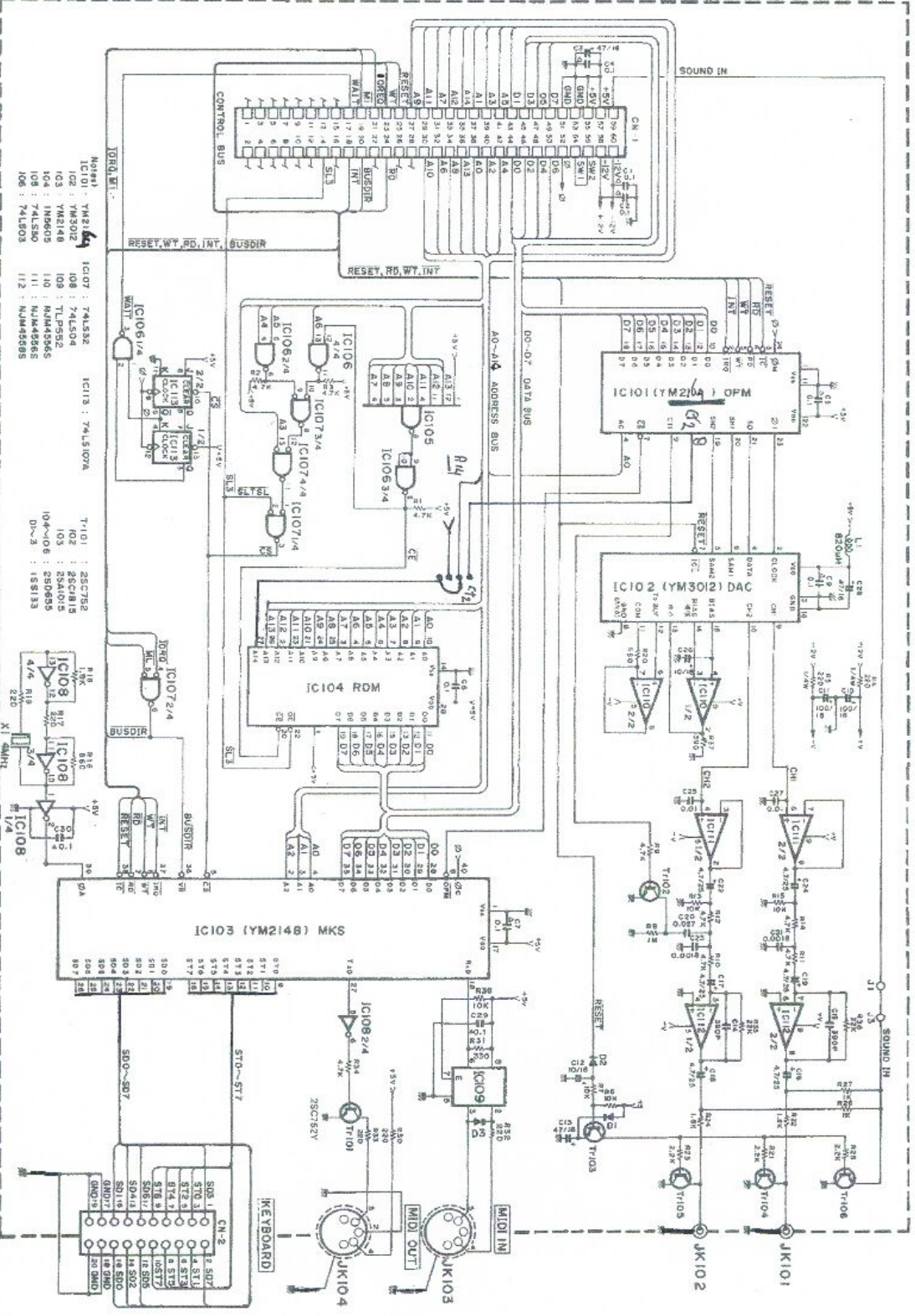
# Corrected circuit diagram Yamaha SFG-05

Author: abuur

## Note

- c 31 no more present
- ca 1 +ca 2 not connected
- l2+l3 l4+l5 and l6 not present
- IC YM2151 OPM is a YM2164 in the sfg05

■ CIRCUIT DIAGRAM (FM SOUND UNIT) *Correct schematic STG-06*



- IC101 : YM2148  
 IC102 : YM3012  
 IC103 : 74LS04  
 IC104 : 74LS04  
 IC105 : 74LS04  
 IC106 : 74LS04  
 IC107 : 74LS04  
 IC108 : 74LS04  
 IC109 : 74LS04  
 IC110 : 74LS04  
 IC111 : 74LS04  
 IC112 : 74LS04

- T-101 : 2SC782  
 T-102 : 2SC1815  
 T-103 : 2SA1015  
 T-104~106 : 2SD0855  
 T-107 : 1SS133

- IC103 (YM2148) MKS  
 IC104 ROM  
 IC105 74LS04  
 IC106 74LS04  
 IC107 74LS04  
 IC108 74LS04  
 IC109 74LS04